

		Revisions		20	2	B
LAL	Rev.	Description	Chk.	Date	Approved	
	A	ENGRG RELEASE	RE	7/10/75	J.W.	
	B	ADDED NOTE 6.	BN	8-18-76		

**ENGINEERING
RELEASE**

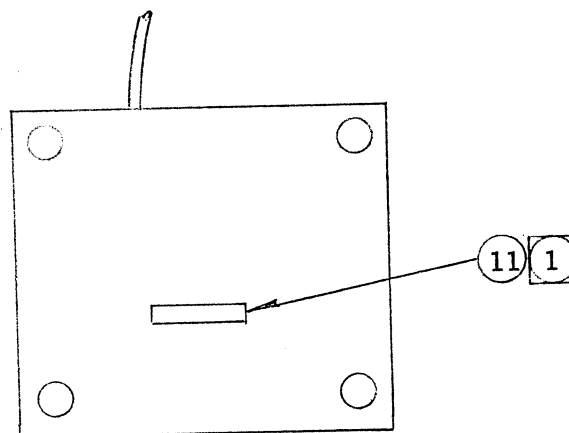
TFD70
-200

Dist. Code **ALT**

<p>These drawings and specifications, and the data contained therein, are the exclusive property of Xerox Corporation and/or Rank Xerox, Ltd. issued in strict confidence and shall not, without the prior written permission of Xerox Corporation or Rank Xerox, Ltd., be reproduced, copied or used for any purpose whatsoever, except the manufacture of articles for Xerox Corporation or Rank Xerox, Ltd.</p>	Notes Unless Specified	Drawn <i>Montomay</i> 7-10-75	Xerox Corporation El Segundo, California				XEROX
	<p>1. Tolerances .XX ±.030 Angular ±½° .XXX ±.010</p> <p>2. Break All Sharp Edges .010 Approx.</p> <p>3. Mach. Surfaces ✓</p> <p>4. All Dim. In Inches</p>	Check <i>R. Coe</i> 7/10/75	ALTO II ASSEMBLY, KEYSSET				
Model No. ALTO II First Use	Finish	Appr. <i>J. Wakida</i> 7/10/75					Code Ident. 18338
Next Rev. First Use		216362	Material	Scale <i>1:1</i>	Do Not Scale Drawing	Sheet 1 OF 5	

NOTES: UNLESS OTHERWISE SPECIFIED

- 1 ADHERE NAMEPLATE (ITEM 11) ON SURFACE INDICATED. TYPEWRITE PART NUMBER.
- 2 CABLE (ITEM 7) MAY BE PURCHASED FROM W.L.GORE & ASSOCIATED, NEWARK, DELAWARE PART NUMBER RCN 2313 (10 COND. 30 GA, 7 STRAND, THIN WALL P.T.F.E. WITH .015 POLYURETHANE JACKET, O.D. .102, COLOR CODED WIRES).
3. TIE-OFF BLUE, WHITE, GRAY AND VIOLET WIRES AT BOTH ENDS OF CABLE.
- 4 MARK CHARACTERS .12 HIGH NEWS GOTHIC, COLOR: WHITE.
- 5 SHIM CABLE WITH TUBING, SHRINKABLE (ITEM 12) OR EQUIV TO FACILITATE CLAMPING.
- 6 MAY BE PURCHASED FROM CANNON ELECTRIC COMPANY, SANTA ANA, CALIFORNIA, VENDOR PART NUMBER.



BOTTOM VIEW

These drawings and specifications, and the data contained therein, are the exclusive property of Xerox Corporation and/or Rank Xerox, Ltd. issued in strict confidence and shall not, without the prior written permission of Xerox Corporation or Rank Xerox, Ltd., be reproduced, copied or used for any purpose whatsoever, except the manufacture of articles for Xerox Corporation or Rank Xerox, Ltd.

Title ALTO II

ASSEMBLY, KEYSSET

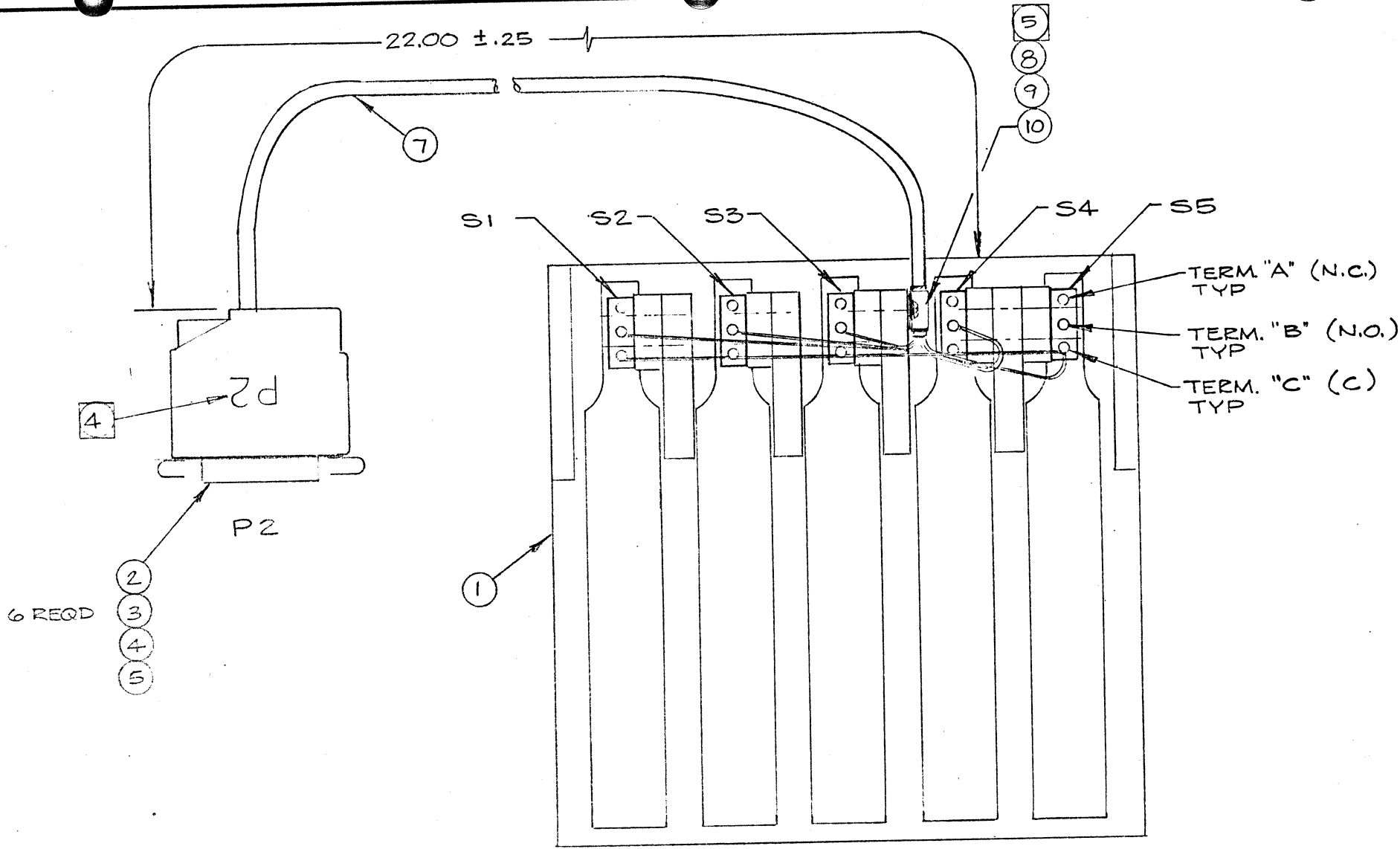
Xerox Corporation
El Segundo, California

XEROX

209962

B

Sheet 2 Of 5



TOP VIEW
COVER REMOVED FOR CLARITY

These drawings and specifications, and the data contained therein, are the exclusive property of Xerox Corporation and/or Rank Xerox, Ltd. issued in strict confidence and shall not, without the prior written permission of Xerox Corporation or Rank Xerox, Ltd., be reproduced, copied or used for any purpose whatsoever, except the manufacture of articles for Xerox Corporation or Rank Xerox, Ltd.

Title
ALTO II

ASSEMBLY, KEYSSET

Xerox Corporation El Segundo, California		XEROX	
209962		B	
Sheet	3	Of	5

